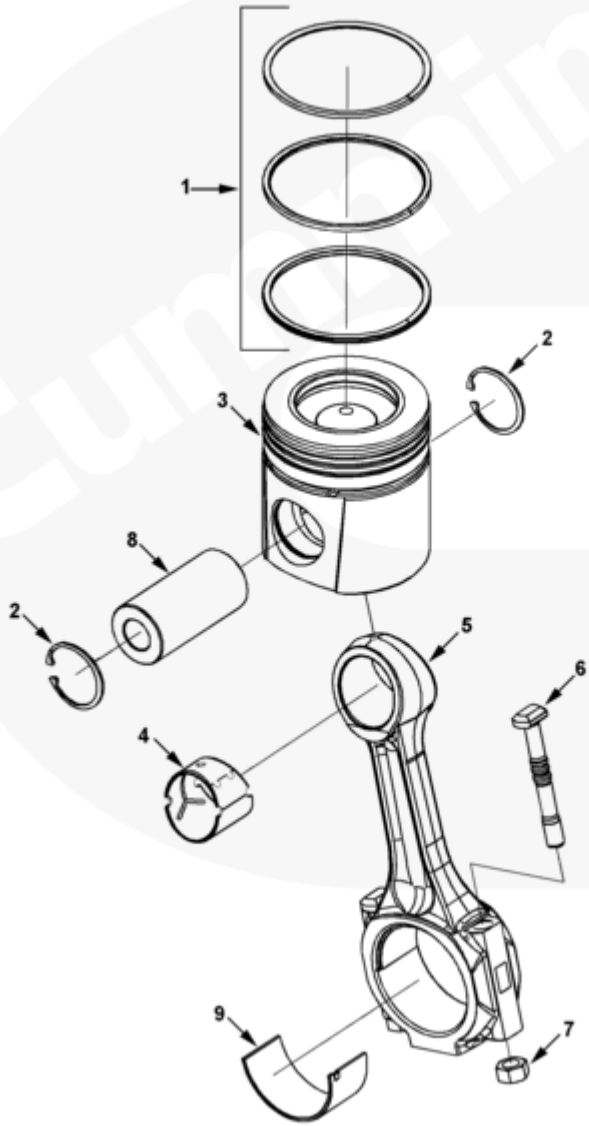
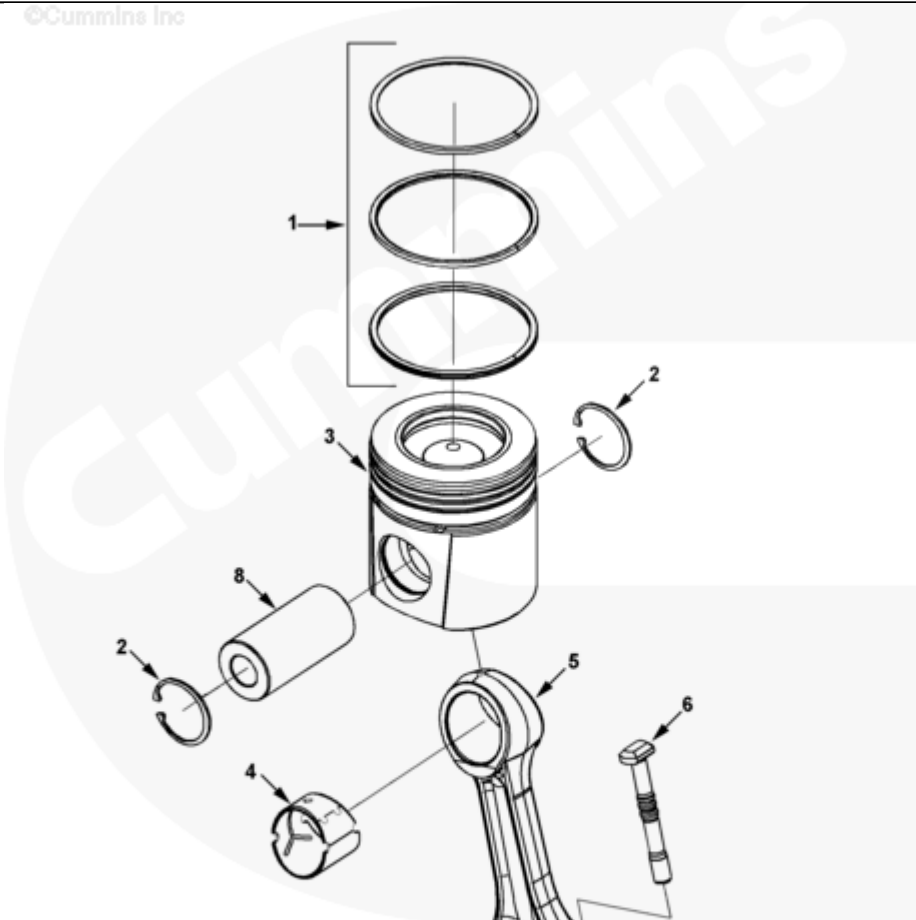




# Parts Catalog - Option Detail

| Electronic Parts Catalog - Option Detail |  |         |           |           |
|--|--|---------|-----------|-----------|
| Option                                   | Group  | Graphic | Film Card | Date      |
| PP2664-03                                | 01.04  | pp961gb | Z         | 10-AUG-05 |
| <b>Engines</b>                           | 6C8.3, C GAS PLUS CM556, G8.3, G8.3 CM558, GTA8.3 CM558, ISC CM2150, ISC CM554, ISC CM850, ISC8.3 CM2250, ISC8.3 G CM2180 C101, ISL CM2150, ISL CM554, ISL CM850, ISL G CM2180, ISL8.9 CM2150 L110, ISL8.9 CM2880 L112, ISL9 CM2150 SN, ISL9 CM2250, ISL9 CM2350 L101, ISL9 CM2350 L111, ISLE4 CM850, L GAS PLUS CM556, L8.9, L8.9 L121, L8.9G CMOH2.0 L125B, L9 CM2350 L116B, L9 CM2350 L119B, L9 CM2350 L120C, L9 CM2350 L123B, L9.3 L105, L9.5 L117, L9N CM2380 L124B, QSC8.3 CM2250, QSC8.3 CM2880 C102, QSC8.3 CM554, QSC8.3 CM850(CM2850), QSL9 CM2250, QSL9 CM2250 L115, QSL9 CM2350 L102, QSL9 CM2350 L107, QSL9 CM2350 L118, QSL9 CM2350 L122, QSL9 CM554, QSL9 CM850(CM2850), QSL9 G CM558, QSL9 M CM2250 L106, QSL9.3 CM2880 L113 |         |           |           |



pp961gb

| Cart         | Ref No | Part Number | Part Description          | Required | Remarks                             |
|--------------|--------|-------------|---------------------------|----------|-------------------------------------|
| View My Cart |        |             |                           |          |                                     |
|              |        | PP2664-03   | Connecting Rod And Piston |          | MR - PISTONS, CONN ROD AND...(More) |
|              |        |             |                           |          | Performance Parts for:              |
|              |        |             |                           |          | 6CTAA8.3 Litre                      |
|              |        |             |                           |          | Engine Family: C Series             |
|              |        |             |                           |          | Reference CPL#: 2664                |
|              |        |             |                           |          | Certified By: None                  |
|              |        |             |                           |          | Cylinders: 6                        |
|              |        |             |                           |          | Exh Mfld Type: Dry                  |
|              |        |             |                           |          | Aspiration: Charged Air             |
|              |        |             |                           |          | Cooled                              |
|              |        |             |                           |          | Engine Control System: MRE          |
|              |        |             |                           |          | Fuel Pump Manufacturing /           |
|              |        |             |                           |          | Model: Bosch P3000                  |
|              |        |             |                           |          | Catalytic Converter Required:       |
|              |        |             |                           |          | No                                  |
|              |        |             |                           |          | High Pressure Fuel Line ID          |
|              |        |             |                           |          | (mm): 1.8                           |
|              |        |             |                           |          | Unique Characteristics: With        |
|              |        |             |                           |          | Edge Filter Injectors               |
|              |        |             |                           |          | Cylinder Head Valve Material:       |
|              |        |             |                           |          | Premium                             |
|              |        |             |                           |          | Cyl Head Valve Inserts: No          |
|              |        |             |                           |          | Valve Bridge Scalloping: No         |
|              |        |             |                           |          | Required Cylinder Head Swirl:       |
|              |        |             |                           |          | Low                                 |
|              |        |             |                           |          | Camshaft Gear Material:             |
|              |        |             |                           |          | Steel                               |
|              |        |             |                           |          | Required Lube Pump Flow (GPM)       |

|                          |   |         |                        |   |                               |
|--------------------------|---|---------|------------------------|---|-------------------------------|
|                          |   |         |                        |   | @ RPM): 27.5 at 2200          |
|                          |   |         |                        |   | Requires Graded Pistons: No   |
|                          |   |         |                        |   | Engine Design Phase: Current  |
|                          |   |         |                        |   | Product                       |
|                          |   |         |                        |   | Base Turbo ID17: 3535749      |
|                          |   |         |                        |   | For Use With Electronic       |
|                          |   |         |                        |   | Governor Only                 |
|                          |   |         |                        |   | Brazil May Use P/N 3934169    |
|                          |   |         |                        |   | Instead of 3935715            |
|                          |   |         |                        |   |                               |
|                          |   | 3999822 | Engine Piston          | 6 |                               |
| <input type="checkbox"/> | 1 | 3802429 | Piston Ring Set        | 1 |                               |
| <input type="checkbox"/> | 2 | 3920692 | Retaining Ring         | 2 | Ref TSB170022                 |
|                          | 3 | 3929161 | Engine Piston          | 1 | Sold In Higher Level Assy/Kit |
|                          |   | 3971394 | Engine Connecting Rod  | 1 |                               |
| <input type="checkbox"/> | 4 | 3970951 | Bushing                | 1 |                               |
|                          | 5 | 3970852 | Engine Connecting Rod  | 1 |                               |
| <input type="checkbox"/> | 6 | 3928870 | Connecting Rod Bolt    | 2 |                               |
| <input type="checkbox"/> | 7 | 3934864 | Connecting Rod Nut     | 2 |                               |
| <input type="checkbox"/> | 8 | 3934046 | Piston Pin             | 1 | Ref TSB170022                 |
| <input type="checkbox"/> | 9 | 3950661 | Connecting Rod Bearing | 2 | Standard                      |